

# LC-50H

## FOOD WASTE DISPOSER

InSinkEerator provides the hospitality industry with a range of Food Service disposers to suit the smallest to largest kitchen. Whether you are catering for 50 to 2500 people, there is a solution for your kitchen. InSinkEerator's superior construction, faster operation and shorter grinding time will reduce stress, noise and waste scraps in your workspace.

### FEATURES

Designed for small food service establishments such as restaurants and assisted living facilities

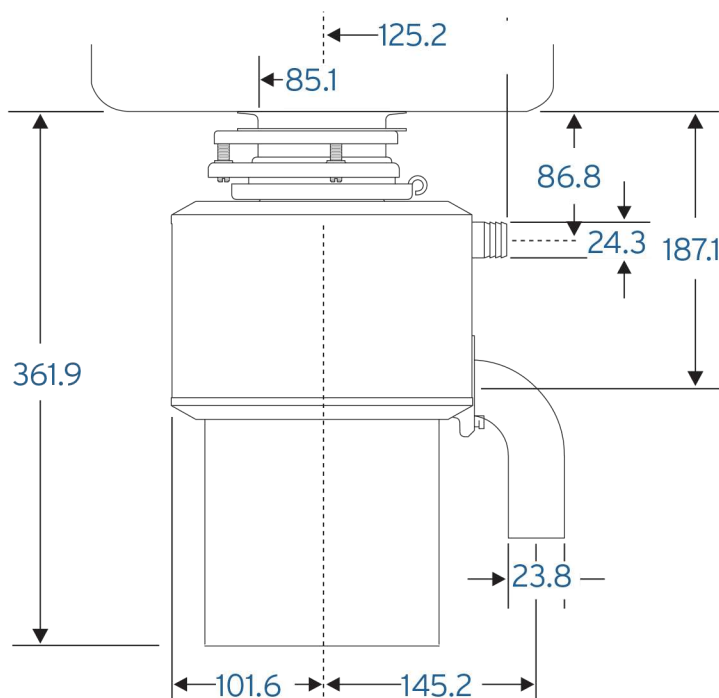
- Suitable for small commercial operations  
Approximately 100 people per meal
- 0.5HP, high torque induction motor
- Quick-Lock® mounting assembly for faster, easier installation
- Stainless steel shredder ring for increased grinding efficiency
- Stainless steel rotating shredder
- Cast stainless 360° swivel lugs, stainless steel grind chamber & elements
- Extra-large stainless steel grind chamber for extra durability
- Stainless steel construction
- Automatic reversing action
- Standard Quiet Sound Reduction System
- 1 year warranty



### SPECIFICATIONS

Type of Feed	Continuous
On/Off	Wall Switch
Power Supply	Single Phase
Horsepower	0.50
Volts (V)	240V
Hertz (Hz)	50
RPM	1425
Lubrication	Self Lubricating
Unit Finish	Stainless Steel and Chrome
Overall Height	362mm
Shipping Weight	16kg
Waste Outlet	1.5"

### DIMENSIONS (MM)



NOTE: Plumb 38.1 mm waste line to prevent standing water in disposer motor housing.