

Maximize Volume & Flavor, Not Costs

Nieco's **JF64-BG** single belt or **JF64-2-BG** dual belt broiler is our highest-capacity broiler that comes with a bun grill. Equipped with **BroilVection™**, a new generation of hybrid broiling technology, the JF64-BG combines radiant broiling, natural convection and focused forced convection heat to consistently produce superior products and reduce operating costs.

BENEFITS

- Delicious Charbroiled Flavor and Color
- Perfectly Grilled Buns
- Automatic Feeder
- Energy Savings
- Less Kitchen Heat
- No Burner Replacement
- Easy to Operate and Maintain
- Faster Speed of Service

FEATURES

- Patented **BroilVection™** Technology
- Bun Grill
- Flow Through Design
- Digital Controls
- Compact Design
- Brushless DC **BroilVection™** Fan and DC Drive Motors

OPTIONS

- Available in Natural Gas or Propane
- Single 27 Inch Belt or Dual 13 Inch Belts
- Push Bar or Wire Belt Automatic Feeder(s)

ACCESSORIES

- Incendalyst™ – Emission Control Catalyst
- Spare Parts Kit
- Multi Product Control
- Quick Disconnect Gas Hose
- Stainless Steel Stand with Locking Casters



NIECO JF64-BG

PERFECT FOR:
High-capacity
kitchens with
a flow-through
kitchen lay-
out, in need of
multi-product
broiling and
grilled buns.

JF64-BG

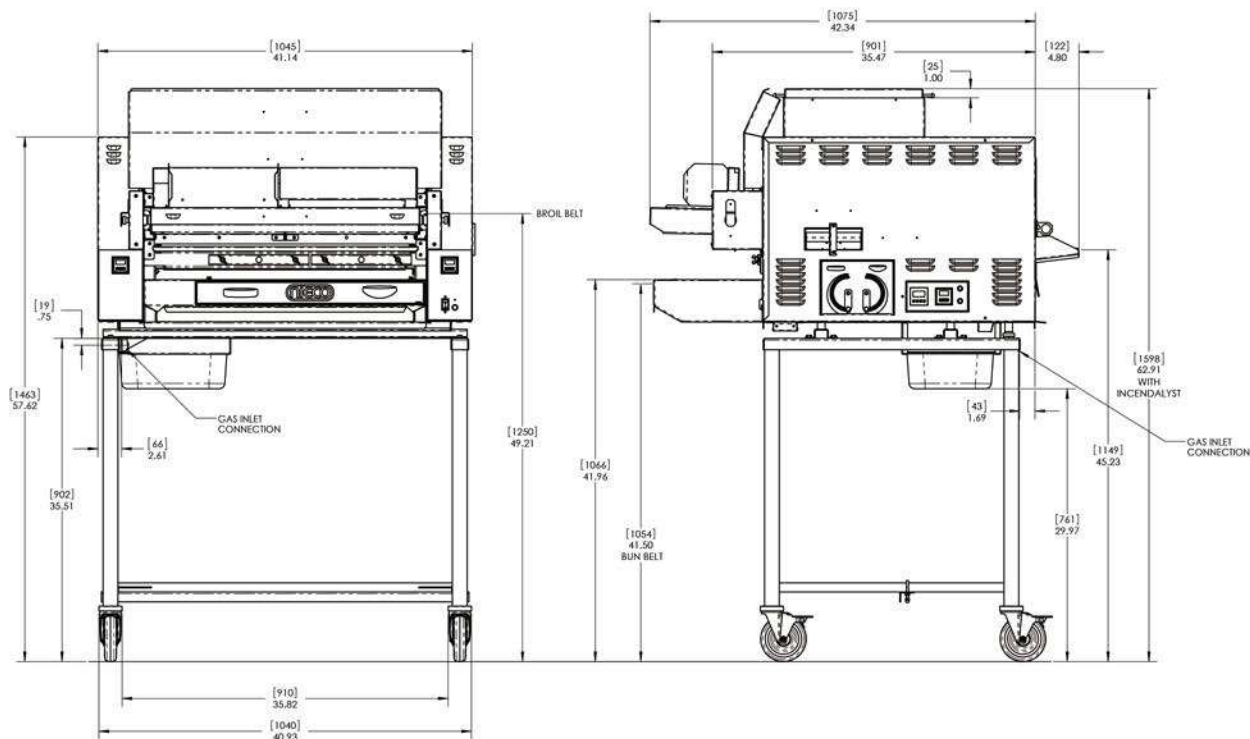
DIMENSIONS

	With Stand:		With 4" Legs:	
	Inches	mm	Inches	mm
Length	47.14	1197	47.14	1197
Height	62.91	1598 (with Incendalyst™)	31.40	798
Width	41.14	1045	41.14	1045

ENERGY (FACTORY RATED)

Gas Models:

- Natural Gas or LPG (for mixed gas call the factory)
- Connected: 75,000 BTU/hour
- Connection Size: ¾" NPT
- Electric Connection Domestic: 200-220V 1Ø 13A
- Electric Connection Export: 230-240V 1Ø 13A



APPROVALS



Intertek

