



MARINE MODEL R36S-M

36" Electric Range w/Oven Base



MARINE MODEL DESCRIPTION

Range shall be a LANG Manufacturing Marine Model R36S-____
[Specify one]:

- ATAM, with 1 ea. 24" X 24" X 1/2" thick Griddle and two 8" diameter French Plates;
- ATGM, with 1 ea. 12" X 24" X 1/2" thick Griddle and four 8" diameter French Plates;
- ATBM, with 3 ea. 12" X 24" X 3/4" thick Hot Plates;
- ATCM, with 2 ea. 12" X 24" X 3/4" thick Hot Plates and two 8" diameter French Plates;
- ATDM, with 36" X 24" X 1/2" thick Griddle; or
- ATEM, with 6 ea. 8" diameter French Plates

A 36" wide heavy duty electric heated unit with standard oven base and 21-kW total power input; hatchable two piece construction with all stainless steel exterior; fully insulated oven with aluminized steel interior, heavy duty drop-down door with latch and one oven rack standard; individual oven and cook-top component controls; Sea rails and stainless steel front grab bar.

STANDARD PRODUCT WARRANTY

- One year, parts & labor [Labor in U.S. only]

MARINE CONSTRUCTION FEATURES

- Two piece modular construction
- Heavy duty 430 Series stainless steel exterior with, No. 4 finish
- 12" high cooking compartment is aluminized steel
- 3" insulation on six sides of cooking compartment
- Incoloy sheathed tubular oven heating elements
- Heavy duty, spring-assisted, hinge-down oven door with latch
- One oven rack provided
- Sea rails and full width front mounted grab bar
- 2 3/4" wide full width front grease trough
- Grease drain in trough with full width & depth spillage drawers
- Griddle top configurations include one piece welded splash guard back & sides
- 6" adjustable legs w/ bolt-down flange standard

CONTROL PACKAGE

- 150-550°F oven thermostat
- Top & bottom element 3-heat switches
- Damper control
- 60 minute timer with alarm
- [-ATAM] Two 450°F thermostats, one per 12" of Griddle plate & two 6-heat switches [French Plates]
- [-ATGM] One 450°F thermostat for 12" Griddle plate & four 6-heat [French Plates]
- [-ATBM] Three individual 850°F thermostats [Hot Tops]
- [-ATCM] Two 850°F thermostats [Hot Tops] & two 6-heat switches [French Plates]
- [-ATDM] Three 450°F thermostats, one per 12" of Griddle plate
- [-ATEM] Six 6-heat switches [French Plates]

PERFORMANCE FEATURES

- Multi-function 36" wide unit fits into most marine galleys
- Hatchable two-piece design allows movement through 26" X 66" watertight hatch
- Choice of six cook-top configurations, to include:
 - 24" wide, 1/2" thick Griddle & 2 ea. 8" diameter French Plates
 - 12" wide, 1/2" thick Griddle & 4 ea. 8" diameter French Plates
 - 3 ea. 12" wide Hot Plates
 - 2 ea. 12" wide Hot Plates & 2 ea. 8" diameter French Plates
 - 36" wide, 1/2" thick Griddle
 - 6 ea. 8" diameter French Plates
- Full front grease trough, grease drain & spillage drawers
- Independent controls allows precise multi-function cooking
- Oven holds one 18 X 26" full sheet pan

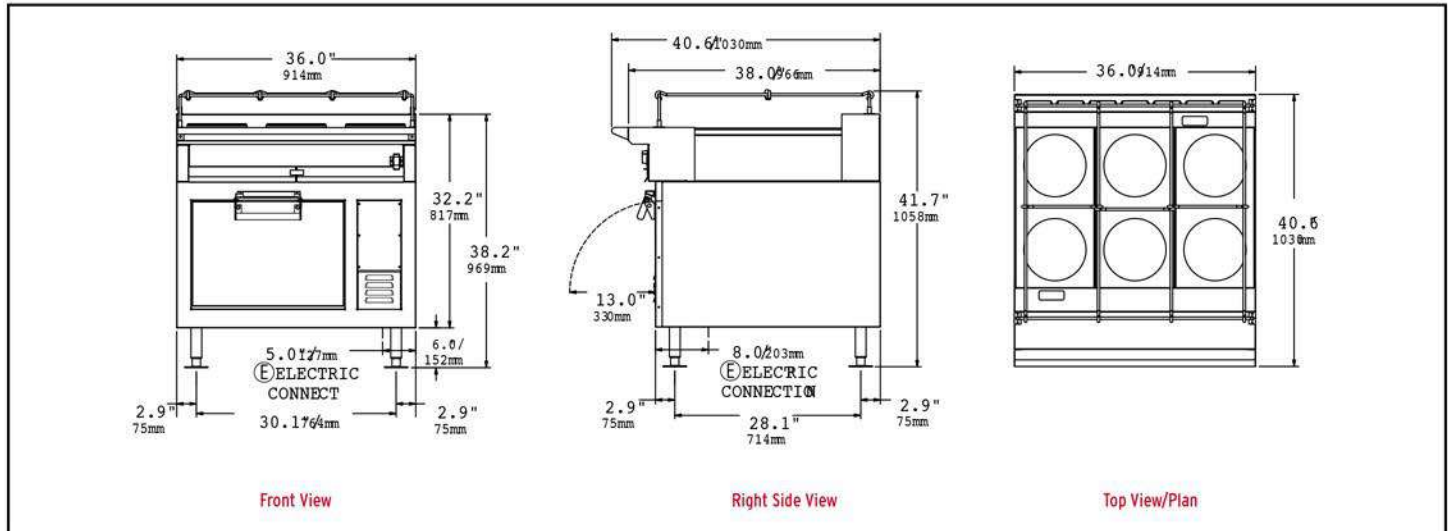


MARINE INSTALLATION REQUIREMENTS

- ❑ Ⓢ208V or 240V, 1-Phase or 3-Phase power required; or 440V/480V, 3-Phase as option
- ❑ Consult marine codes for installation requirements

MARINE OPTIONS & ACCESSORIES

- ❑ Substitute 1" thick griddle plate for grooving [24" wide or 36"]
- ❑ Grooving on [1" thick ONLY] Griddle Plate [per foot]
- ❑ Stainless steel oven interior [Including oven deck]
- ❑ Stainless steel curb mounting flange [Order in place of legs]
- ❑ Extra wire pan rack [One provided as std.]
- ❑ Lang Clamshell" Hood 24" wide [Must order w/1" griddle plate]



Model [R30S-]	ATAM	ATDM	ATBM	ATEM	ATCM	ATGM
Oven Base	Standard	Standard	Standard	Standard	Standard	Standard
Griddle	24"	36"	-	-	36"	12"
French Plates	2 each	-	-	6 each	2 each	4 each
Hot Plates	-	-	3 each	-	2 each	-
Pictogram						

Model No.	External Dimensions			Surface Clearance	Weight lbs [kg]		Freight Class	Volts AC [Hz]	Watts [kW]	3-Phase AMPS	1-Phase AMPS
	Width	Height	Depth		Actual*	Ship*					
R36S	36" 914mm	41.7" 1053mm	40.6" 1030mm	Sides: 4" Back: 4"	520 [236]	570 [259]	85	208 - 50/60	21.0	66.7	101.0
								240 - 50/60	21.0	57.8	87.5
								440 - 50/60	17.6	26.5	n/a
								480 - 50/60	21.0	28.9	n/a

*Depending on configuration

CAD SYMBOLS & PRICING

Sheet No. LMSP-R2 [rev. 07/15]



Due to continuous improvements, specifications subject to change without notice