



MARINE MODEL 136SBM, 160SBM

Electric Salamander Broiler



Model 136TDIG

MARINE CONSTRUCTION FEATURES

- Stainless steel front, top and sides
- Top mounted Incoloy sheathed heating elements
- Multi-position, adjustable chrome plated rack
- Stainless steel removable drip drawer with marine latch

CONTROL PACKAGE

- Mechanical multi-position rack height lever
- Infinitely adjustable temperature control

PERFORMANCE FEATURES

- Mount above marine ranges or order as a counter top model
- Large, unrestricted opening for quick and easy plate access
- Can change rack height while unit is heating
- Large capacity drip drawer is removable, for easier cleaning

STANDARD PRODUCT WARRANTY

- One year, parts & labor [Labor in U.S. only]

MARINE MODEL DESCRIPTION

Salamander/Broiler shall be a LANG Manufacturing Marine Model 136SBM [36" wide] or 160SBM [60" wide] unit with: 6-kW electric heaters; infinitely adjustable temperature setting; large, unrestricted plate opening; multi-position, height adjustable rack.

SIZING AND PERFORMANCE GUIDE

Model No.	136SBM	160SBM
Width	36"	60"
Inside Width	24.5"	24.5"
Power	6 kW	6kW
Mounting	R36S & R36C	R60S

* 36" wide Salamander centered in 60" wide cabinet.

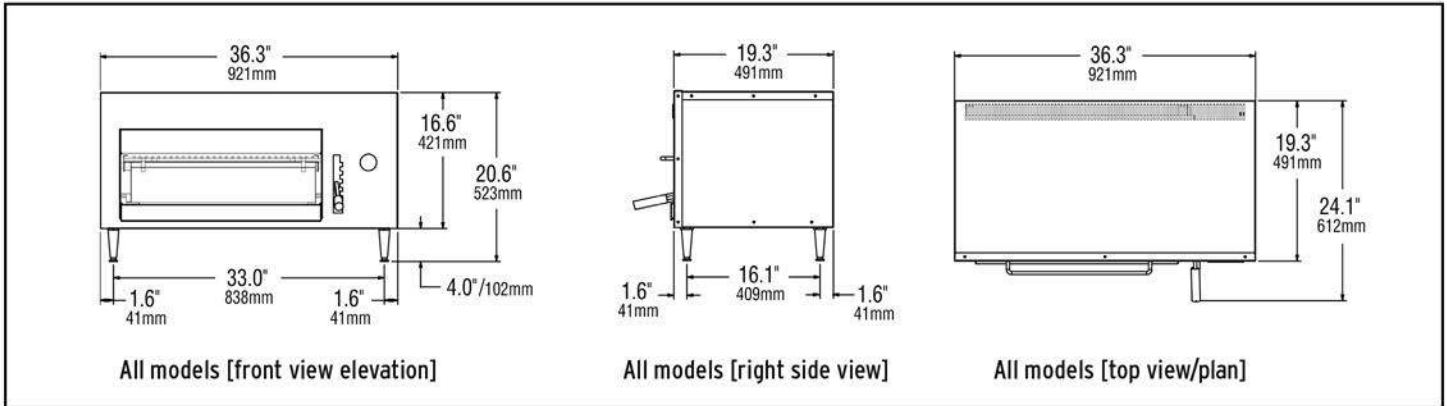


MARINE INSTALLATION REQUIREMENTS

- Ⓢ 208V or 240V, 1-phase; 440V/ 1-phase electrical connection
- Consult marine codes for installation requirements [Connections from rear. See below location an power requirements]

MARINE OPTIONS & ACCESSORIES

- Extra chrome plated rack



* Electrical connection not shown in drawings because it is placed and drilled during installation.

Model #	Dimensions [legs included]			Clearance from Surface	Weight		Freight Class	Volts AC [Hz]	Watts [kW]	3-Phase AMPS	1-Phase AMPS
	Width	Height	Depth		Actual	Ship					
136SBM	16.6" 421mm	36.3" 921mm	24.1" 612mm	Sides: 0" Back: 0"	170 lbs 77 kg	220 lbs 100 kg	85	208 - 50/60	6.0	n/a	28.9
					240 - 50/60	6.0		n/a	25.0		
160SBM	16.6" 421mm	36.3" 921mm	24.1" 612mm		260 lbs 118 kg	510 lbs 232 kg		440 - 50/60	5.0	n/a	11.5
					480 - 50/60	6.0		n/a	12.6		

CAD SYMBOLS & PRICING

Sheet No. LMSP-R7 [rev. 07/15]

