



MARINE MODEL TM/SM [124, 136, 148, 160, 172]

Electric Counter Griddles



Model 136 TM

MARINE MODEL DESCRIPTION

Griddle shall be a LANG Manufacturing Marine Model 1__ [Specify width: 24", 36", 48", 60" or 72"]__ [Specify controls: ACCU-TEMP Snap-action Thermostat Controls (TM) or SELECTRONIC Solid State Controls (SM)], provided for every 12" of griddle width; 6-kW per foot of Incoloy sheathed heating elements, pressure clamped to plate bottom; 1" thick polished cooking surface, with 5-1/2" high side and back splash and full front 1" deep X 3-1/2" wide grease trough; full width front mounted grab bar; and all the features listed.

SIZING AND PERFORMANCE GUIDE

Model/Width	Surface	Controls	kW
124TM/SM	552 sq. in.	2	12
136 TM/SM	828 sq. in.	3	18
148 TM/SM	1104 sq. in.	4	24
160 TM/SM	1380 sq. in.	5	12/18**
172 TM/SM	1656 sq. in.	6	18/18**

* 6-kW per foot of griddle

** Power input, two power connections required

MARINE CONSTRUCTION FEATURES

- Single, heavy duty 430 Series stainless steel exterior
- 1" thick precision machined, polished steel cooking surface
- 5 1/2" continuously welded high rear & side splash shields
- Full front 3-1/2" wide X 1" deep stainless steel grease trough
- 8 quart capacity grease drawer with marine latch & fully enclosed, easily removable sleeve [Two on 60" & 72" models]
- All stainless steel base cabinet construction
- Fully enclosed control compartment
- Full width front mounted grab bar
- 4" adjustable bolt-down legs provided

CONTROL PACKAGE

- ACCU-TEMP™ Thermostat Controls [TM]**
 - Snap-action thermostats
 - Independent temperature control every 12"
 - Heat on indicator lamps for each cooking section
- SELECTRONIC™ Solid State Controls [SM]**
 - Resistance Temperature Detector system
 - RTD probe reacts to a 1°F temperature change
 - Control for every 12" of cook surface
 - Snap-action 175 to 450°F temperature control, in 25°F increments
 - Eliminate need for periodic calibration

PERFORMANCE FEATURES

- Choice of two control systems [See below]
- Thick griddle plate reduces hot & cold spots and retains heat
- Highly polished surface and continuously welded splash and grease trough speed cleanup
- Incoloy sheathed heating elements for long life
- Elements are pressure clamped to bottom of griddle plate for more even heating
- Recessed control panel protects control knobs
- Accurate temperature control between 175 and 450°F

STANDARD PRODUCT WARRANTY

One year, parts & labor (Labor in U.S. only)



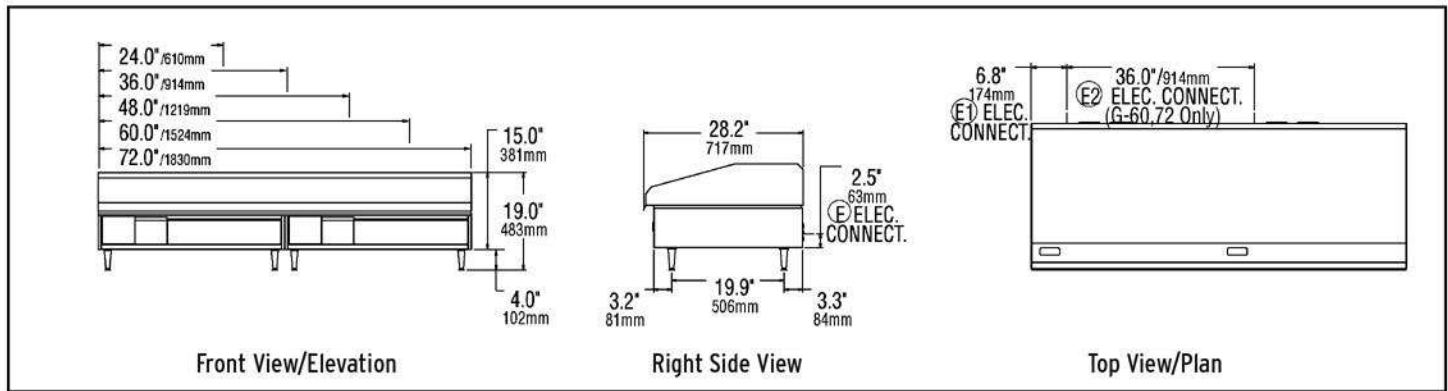
Electric Counter Griddles **MARINE MODEL TM/SM [124, 136, 148, 160, 172]**

MARINE INSTALLATION REQUIREMENTS

- ❑ Ⓞ 208V, 3-phase, field convertible to 240V or 1-phase; or 440V or 480V, 3-phase power connection
- ❑ Ⓞ Two electric connections required for 60" and 72" wide units
- ❑ Consult marine codes for installation requirements [Connections from rear. See below for location and power requirements]

MARINE OPTIONS & ACCESSORIES

- ❑ Custom Grooving [Specified in 12" increments, from left to right.]
Special grooved surface cleaning tool provided
- ❑ Stainless steel tubular-leg stand with reinforced undershelf & adjustable flanged mounting feet



Model #	Dimensions [legs included]			Clearance from Surface	Weight		Freight Class	Volts AC [Hz]	Watts [kW]	3-Phase AMPS	1-Phase AMPS
	Width	Height	Depth		Actual	Ship					
124	19.0" 483mm	24.0" 610mm	30.2" 767mm	Sides: 2" Back: 2"	330 lbs 150 kg	380 lbs 173 kg	85	208 - 50/60 240 - 50/60 440 - 50/60 480 - 50/60	12	50.0 43.3 23.6 21.7	57.7
136	19.0" 483mm	36.0" 914mm	30.2" 767mm		50.0						
					50.0						
					86.5						
					75.0						
148	19.0" 483mm	48.0" 1219mm	30.2" 767mm	115.2							
				100.0							
				n/a							
				n/a							
160	19.0" 483mm	60.0" 1524mm	30.2" 767mm	57.7/86.5							
				50.0/75.0							
				n/a							
				n/a							
172	19.0" 483mm	72.0" 1830mm	30.2" 767mm	86.5/86.5							
				75.5/75.5							
				n/a							
				n/a							

CAD SYMBOLS & PRICING

Sheet No. LMSP-G2 [rev. 07/15]



Due to continuous improvements, specifications subject to change without notice